

OLE Patron Technical Document

[Purpose](#)

[Dependencies \(db tables\)](#)

[Logical Data Model \(Class Structure\)](#)

[Physical Data Model \(Database Schema\)](#)

[Service Interface Design \(Java\)](#)

[Service Interface Design \(SOAP\)](#)

[User Interface Design](#)

[Data Importing](#)

[Data Exporting](#)

[Workflow](#)

[System Parameters](#)

[Roles and Permissions](#)

Purpose

The Patron eDoc is used to create and maintain borrower information in OLE. These include but not limited to borrower type, barcodes, expiration date, contact information, special privileges, affiliation, Notes, Proxy details and Local Identifications. Information entered here is used in circulation policy to decide loaning rights, send out notices, calculate fines, handle requests and other Patron related activities in the Library.

Dependencies (db tables)

Tables used in Patron creation

| | |
|----------------------|------------------------|
| ole_dlvrr_borr_typ_t | Borrower (Patron) Type |
| ole_dlvrr_src_t | Source |
| ole_dlvrr_stat_cat_t | Statistical Category |

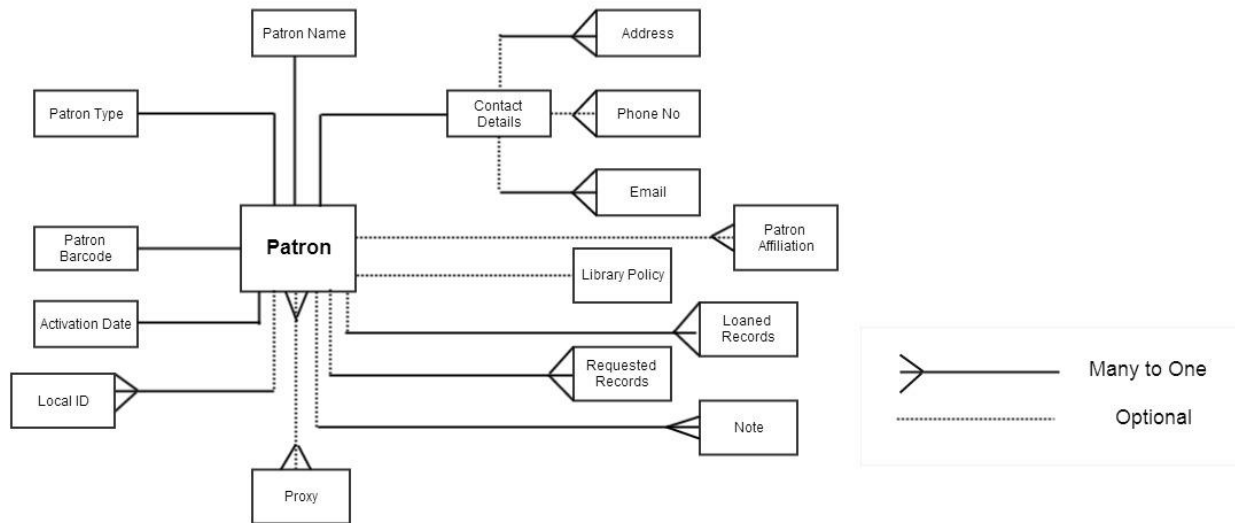
Tables where PatronID is used/referenced

| | |
|----------------------------|--------------------------------------|
| ole_asr_rqst_t | Automatic Storage/Retrieval request |
| ole_dlvrr_add_t | Delivery Address |
| ole_dlvrr_circ_record | Deliver Circulation Record |
| ole_dlvrr_loan_t | Loan Record |
| ole_dlvrr_ptrn_bill_t | Patron Bill |
| ole_dlvrr_rqst_t | Deliver Request |
| ole_dlvrr_temp_circ_record | Deliver Temporary Circulation Record |
| ole_eres_req_t | eResources Request |
| ole_proxy_ptrn_t | Proxy Patron |
| ole_ptrn_addr_t | Patron Address |
| ole_ptrn_afitn_t | Patron Affiliation |
| ole_ptrn_email_t | Patron Email Address |
| ole_ptrn_local_id_t | Patron Local Identification |
| ole_ptrn_lost_bar_t | Patron Lost Barcode |
| ole_ptrn_nm_t | Patron Name |
| ole_ptrn_nte_t | Patron Note |

| | |
|------------------|---------------------|
| ole_ptrn_phone_t | Patron Phone Number |
| ole_ptrn_t | Patron |

Logical Data Model (Class Structure)

In the below diagram, effort is made to represent patron data with the various entities and their relationships associated with it.



The Patron is of a specific Patron Type and will mandatorily have a name. Contact details can either be in the form of an address, phone number or email address. If the Patron is a staff or faculty then employment related information are part of Patron data. Library policies such as delivery privileges and presence of blocks are optional. Loaned and requested records are also maintained as part of Patron data. Notes specific to patrons can be maintained as part of the Patron data. Patron can have multiple proxies or act as proxy to other patrons and this data is captured as well. Patron data also hold multiple Local Ids associated to them, for example, Student ID, Employee ID, etc.

Physical Data Model (Database Schema)

Kuali Rice already provides a middleware, KIM, to capture data regarding person (*krim_entity_t*) such as their name (*krim_entity_nm_t*), address (*krim_entity_addr_t*), phone numbers (*krim_entity_phone_t*), email addresses (*krim_entity_email_t*). This is leveraged in OLE and is used to store Patron related information in these tables.

NOTE: Both Patrons and OLE System Users data are stored in *krim_entity* tables but the System Users data additionally reside in the *krim_prncpl_t* table also. This is because a role can be

assigned only to a principal and Patrons having never been intended to have roles assigned to them has no presence in the *krim_prncpl_t*.

To save other Patron related data OLE has its own set of tables. *ole_ptrn_t* has data specific to patrons such as the Patron Id, barcode, borrower type and other information. *Ole_proxy_ptrn_t* table has information regarding proxy patrons. The table *ole_ptrn_nte_t* has notes saved by User against the Patrons. The table *ole_dlvr_loan_t* has data about items currently loaned by the Patron.

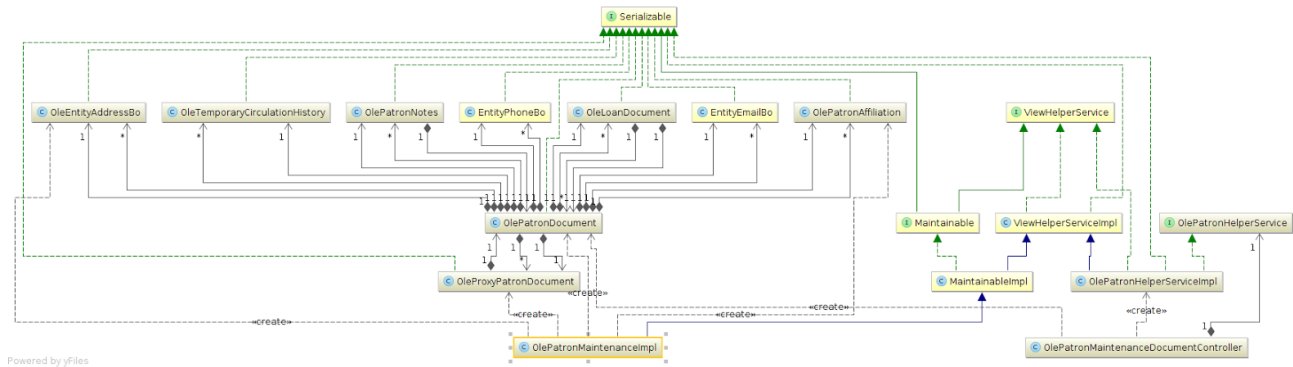
TIP: Implementors who typically import plenty of Patron data from their old system will be better off doing it using the XML import (see Batch Import for Patrons) functionality rather than inserting data into specific tables given the complexity and multiplicity of tables involved.

Note: When migrating data, if a particular item is out on circulation then the patron who borrowed it must be specified in the *ole_ds_item_t* table under the *current_borrower* field. The due date too can be entered here under the *due_date_time* field.

All tables with persistable data contains two properties by default – Version Number and Object Id. This is in order to take advantage of KRAD features. More information can be found in Rice Documentation [here](#).

Service Interface Design (Java)

Maintenance Documents are primarily used for creating and maintaining data elements in Rice. The class *OlePatronMaintenanceImpl.java* extends the *MaintainableImpl* of Rice and overrides the necessary methods.



Business Rules Class

The class *OlePatronMaintenanceDocumentController* extends *MaintenanceDocumentController* of Rice and overrides the necessary methods. This class also has few business rules validations built into it.

The other class *OlePatronHelperServiceImpl* is used internally in the controller to validate, build and return POJOs. A lot of business rule validations are done in this class as well.

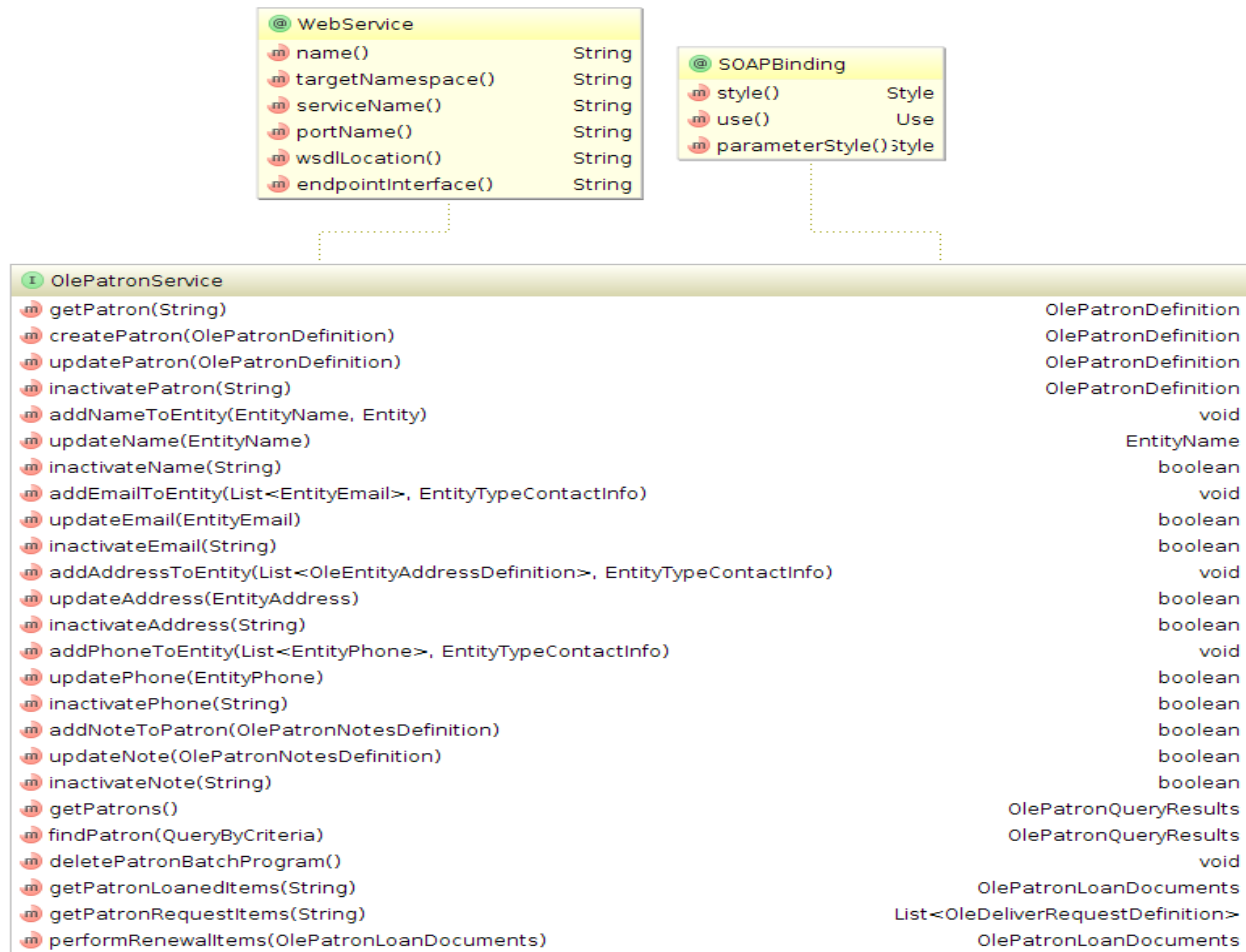
For more information, Javadocs can be found [here](#).

Service Interface Design (SOAP)

OLE allows Patron data to be created and modified using web services to interact with other systems. This will be useful when there are external applications which would use patron data. For example, there could be gate management system which would need to authenticate Patron data, the gate management system would also probably have an interface to create Patrons which would need to be updated in the LMS in which cases this interface can be put to use.

The WSDL link is <Location URL>/remoting/olePatronService?wsdl (say in case of staging, it is, <http://staging.ole.kuali.org/remoting/olePatronService?wsdl>)

The APIs available through the service are listed below in the class diagram



User Interface Design

The OLE Patron document uses KRAD's UIF (User Interface Framework). A very good guide on this can be found [here](#). The Spring Beans XML used in the case of Patron is the *OlePatronDocument.xml* under the *datadictionary* folder.

Data Importing

Patron data can be imported through Batch Processes. A more detailed document on Batch Process can be found [here](#).

Data Exporting

OLE uses a RDBMS backend and hence any data can be exported using simple SQL queries. Currently there is no direct way in which Patrons can be exported directly from OLE.

Workflow

Patron document doesn't have any workflow defined by default. However, if needed it can be defined at *OlePatronDocType.xml* file.

System Parameters

| Namespace Code | Parameter Name | Description |
|----------------|------------------------------|--|
| OLE-PTRN | Barcode | This is for changing the label 'Barcode' to something else. This might be useful for institutions using a different name for Barcode. It seems like it is not in use now. |
| OLE-PTRN | Borrower Type | This is for changing the label 'Borrower Type' to something else. This might be useful for institutions using a different name for Borrower Type, say, 'Patron Type'. It seems like it is not in use now. |
| OLE-PTRN | First Name | This is for changing the label 'First Name' to something else. This might be useful for institutions using a different name for First Name. It seems like it is not in use now. |
| OLE-PTRN | Last Name | This is for changing the label 'Last Name' to something else. This might be useful for institutions using a different name for Last Name. It seems like it is not in use now. |
| OLE-PTRN | Patron | This is for changing the label 'Patron' to something else. This might be useful for institutions using a different name for Patron, say, 'Borrower'. It seems like it is not in use now. |
| OLE-DLVR | AUTH_BARCODE | This is for setting which parameter to look for when the NCIP input XML has no User Id field. |
| OLE-DLVR | PATRON_DIGIT_ROUTINE | This is for setting the Patron digit routine. A 'true' value in here makes the application authenticate that the barcode confirms to the regular expression pattern defined in the PATRON_DIGIT_ROUTINE_PATTERN. |
| OLE-DLVR | PATRON_DIGIT_ROUTINE_PATTERN | This is for defining the regular expression pattern for the Patron Barcode. |
| OLE-DLVR | LOAD_DEFAULT_PATRONS_IND | Setting the value to 'Y' will make the application ingest the default patrons upon startup. |

Roles and Permissions

Permissions are linked to roles which are in turn linked to Users to give them access to screens and functions.

| Permission ID | Permission Name |
|---------------|---------------------------------|
| OLE10130 | Initiate Borrower Document |
| OLE10138 | Initiate AddressType Document |
| OLE10139 | Edit AddressType Document |
| OLE10140 | Initiate EmailType Document |
| OLE10141 | Edit EmailType Document |
| OLE10142 | Initiate PhoneType Document |
| OLE10143 | Edit PhoneType Document |
| OLE10187 | Can Override Loan |
| OLE10188 | Mapping Circulation Desk |
| OLE10195 | Create fastadd |
| OLE10196 | Create/Update Circulation desk |
| OLE10197 | Display Existing loan |
| OLE10198 | Update due date |
| OLE10199 | Display request |
| OLE10201 | Can Override |
| OLE10202 | Post payment |
| OLE10203 | Post forgive |
| OLE10205 | Create/Update proxy patron |
| OLE10206 | Can backdate check-in time/date |
| OLE10207 | EDITOR_ITEM_INFORMATION |
| OLE10208 | Update patron address only |
| OLE10209 | Display Current loan |
| OLE10210 | Display Bill |

| | |
|----------|---|
| OLE10211 | Create/update Bill |
| OLE10212 | Can update item status |
| OLE10214 | Edit Request Document |
| OLE10276 | Initiate Patron Document |
| OLE10277 | Edit Patron Document |
| OLE10282 | Update patron overview |
| OLE10283 | Update patron name only |
| OLE10284 | Update patron phone only |
| OLE10285 | Update patron email only |
| OLE10286 | Update patron affiliation |
| OLE10287 | Update patron library policies |
| OLE10288 | Display Loaned records |
| OLE10289 | Display Temporary Circulation History records |
| OLE10290 | Update Patron Notes |
| OLE10291 | Display Proxy Patron |
| OLE10292 | Update Patron Local Id |
| OLE10293 | Display InvalidOrLost Barcode |

| Role ID | Role Name | Permissions |
|----------|------------------------------|--|
| OLE10046 | Patron Manager | OLE10130, OLE10131, OLE10132, OLE10138, OLE10139, OLE10140, OLE10141, OLE10142, OLE10143 |
| OLE10073 | Super Circulation Supervisor | OLE10195, OLE10203, OLE10205, OLE10206, OLE10207, OLE10208, OLE10209, OLE10210, OLE10211, OLE10212, OLE10214, OLE10276, OLE10282, OLE10283, OLE10284, OLE10285, OLE10286, OLE10287, OLE10288, OLE10289, OLE10290, OLE10291, OLE10292, OLE10293 |
| OLE10074 | Circulation Supervisor | OLE10201, OLE10206, OLE10212, OLE10195, OLE10205, OLE10211, OLE10210, OLE10209, OLE10197, OLE10293, OLE10288, OLE10291, |

| | | |
|----------|------------------------|---|
| | | OLE10289, OLE10199, OLE10207, OLE10214, OLE10276, OLE10203, OLE10202, OLE10292, OLE10290, OLE10198, OLE10208, OLE10286, OLE10285, OLE10287, OLE10283, OLE10282, OLE10284 |
| OLE10075 | Circ Desk Attendant I | OLE10195, OLE10201, OLE10206, OLE10208, OLE10277 |
| OLE10076 | Circ Desk Attendant II | OLE10201, OLE10206, OLE10212, OLE10195, OLE10205, OLE10211, OLE10210, OLE10209, OLE10197, OLE10293, OLE10288, OLE10291, OLE10289, OLE10199, OLE10207, OLE10214, OLE10276, OLE10203, OLE10202, OLE10292, OLE10290, OLE10198, OLE10208, OLE10286, OLE10285, OLE10287, OLE10283, OLE10282, OLE10284 |